

B/19935/527/95

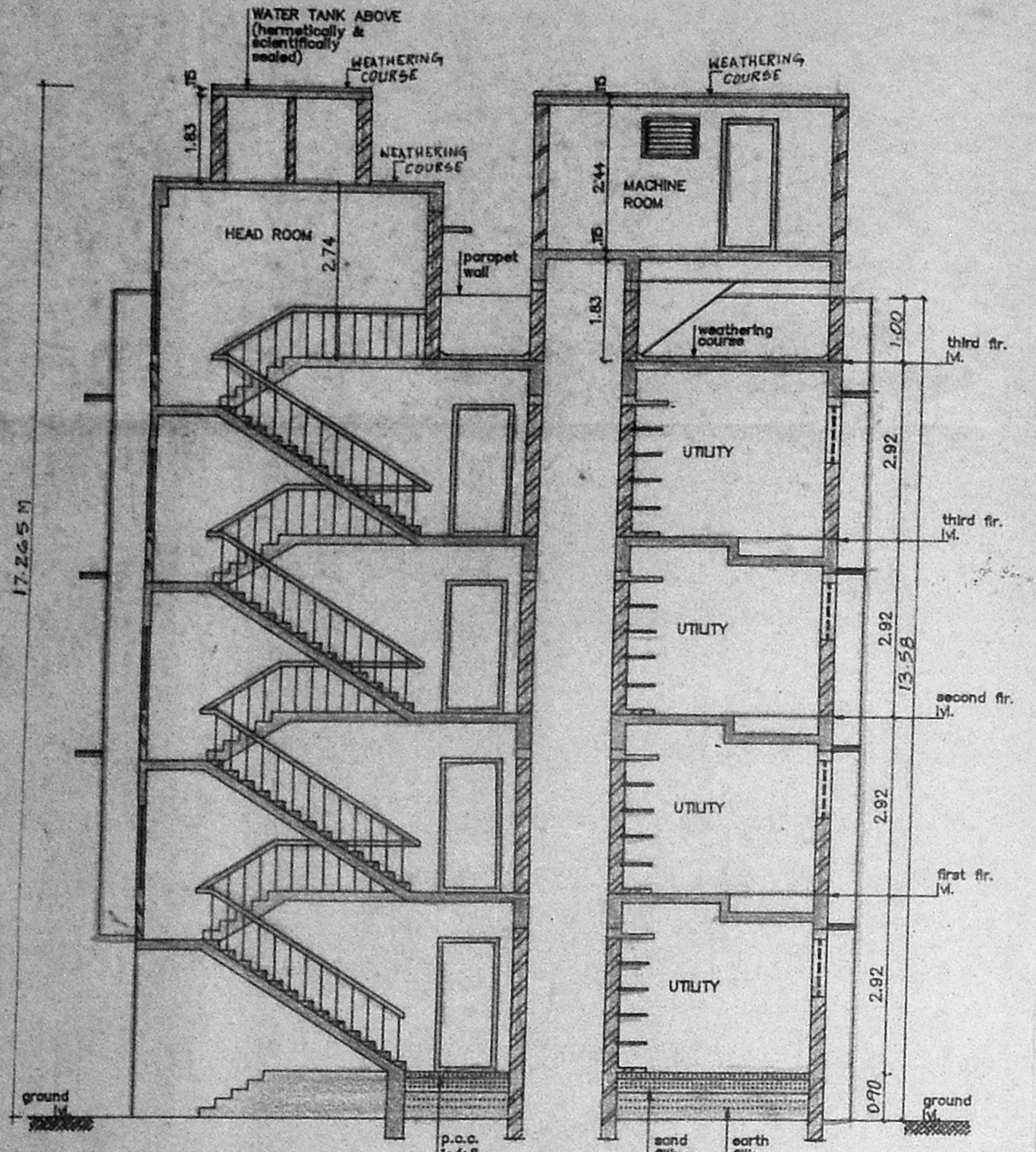
Planning Permit No.

**APPROVED**  
SUBJECT TO THE CONDITIONS IN THIS OFFICE LETTER.

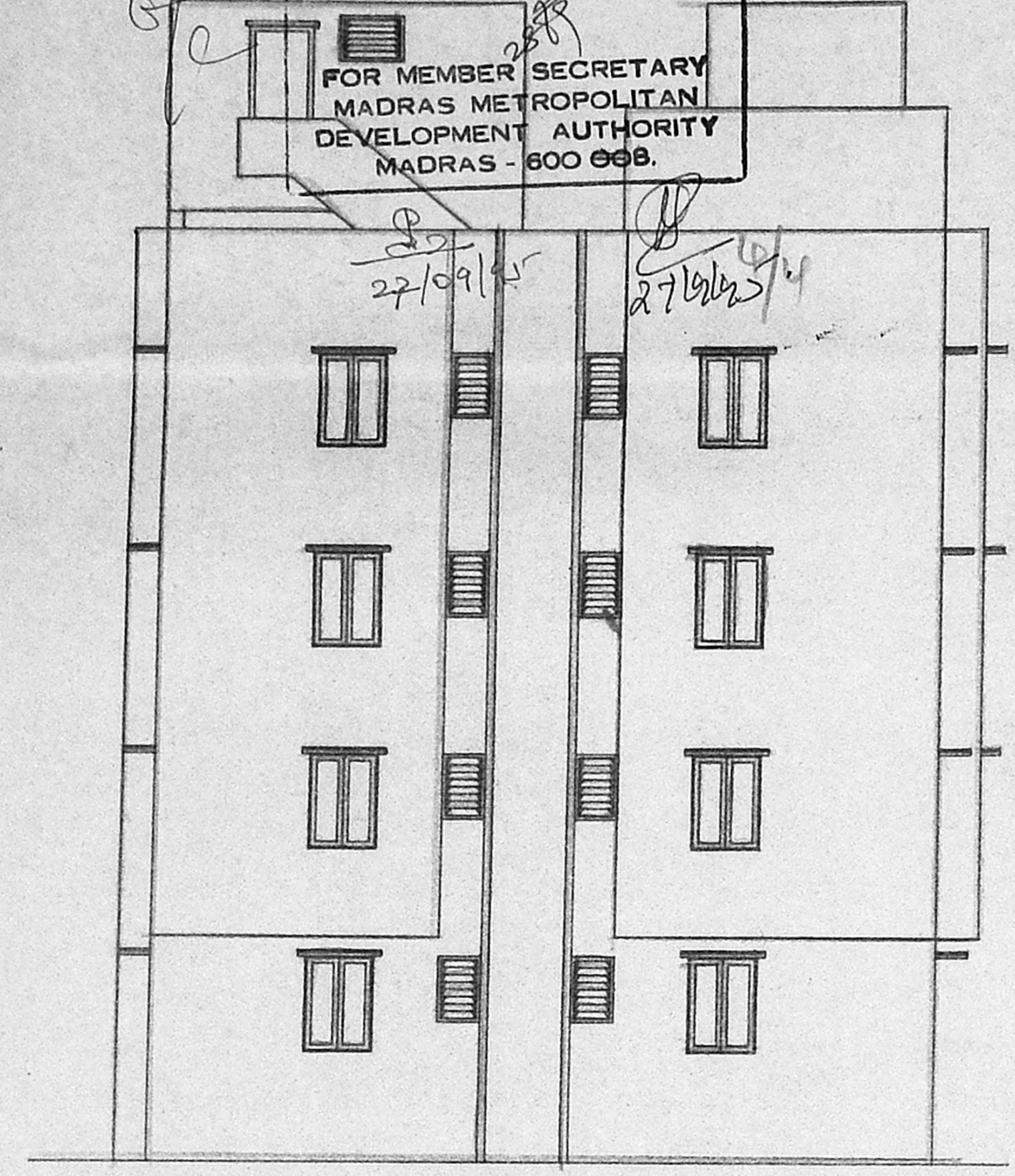
No. B/10272/95 Date 10/9/95

FOR MEMBER SECRETARY  
MADRAS METROPOLITAN  
DEVELOPMENT AUTHORITY  
MADRAS - 600 008.

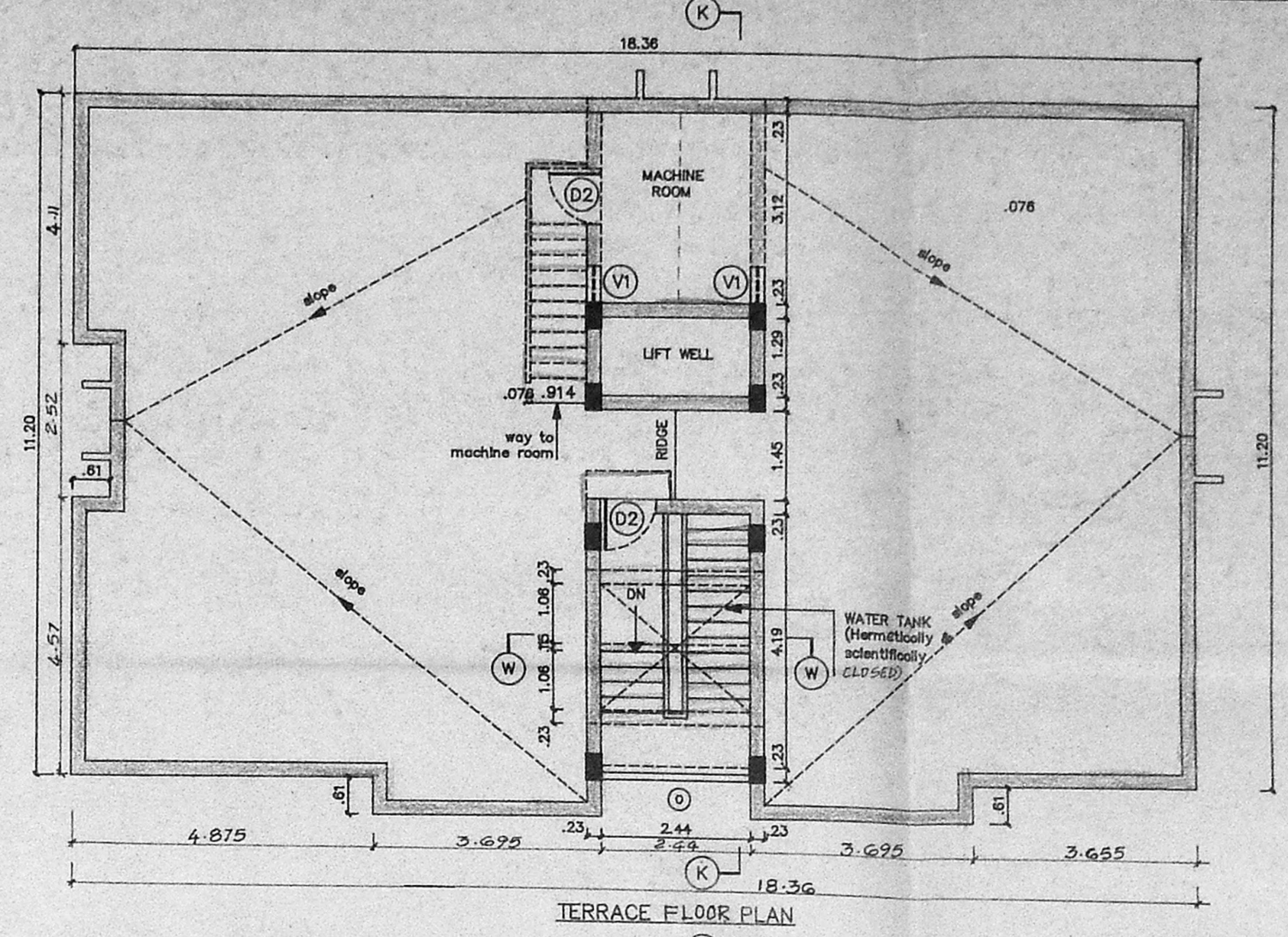
27/09/95 27/10/95



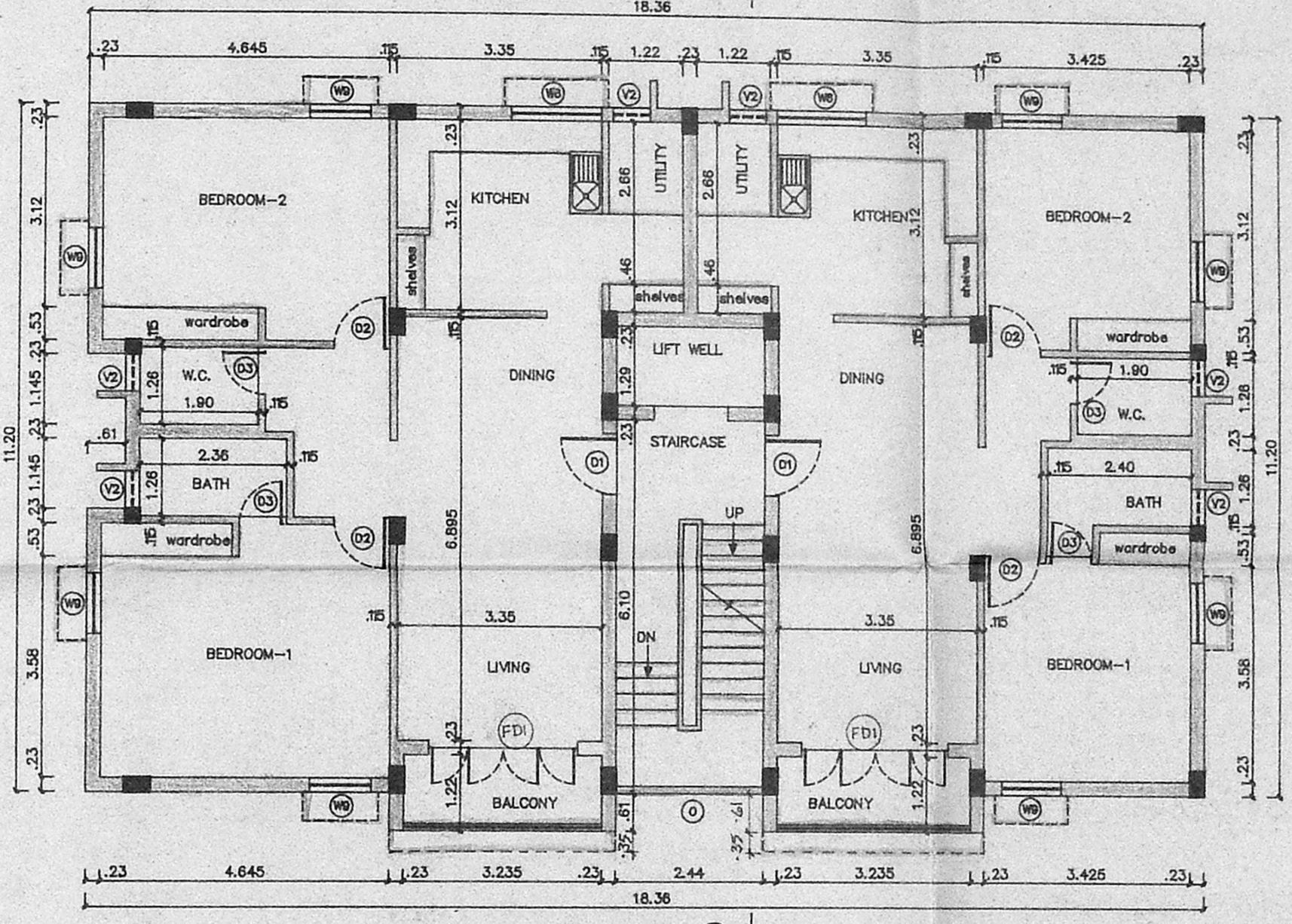
SECTION - KK



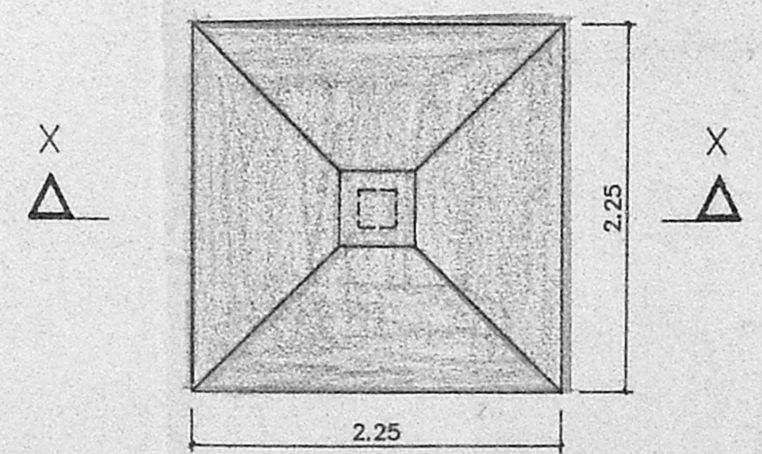
FRONT ELEVATION



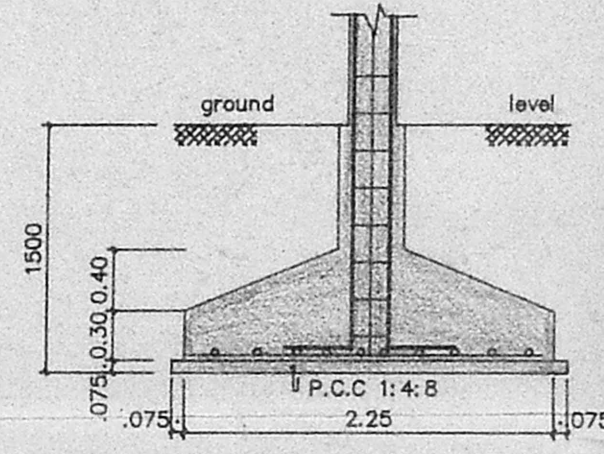
TERRACE FLOOR PLAN



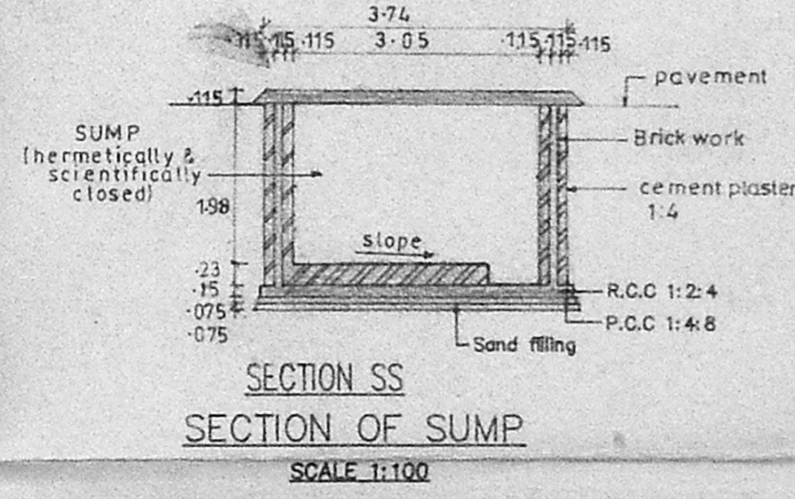
FIRST, SECOND & THIRD FLOOR PLAN



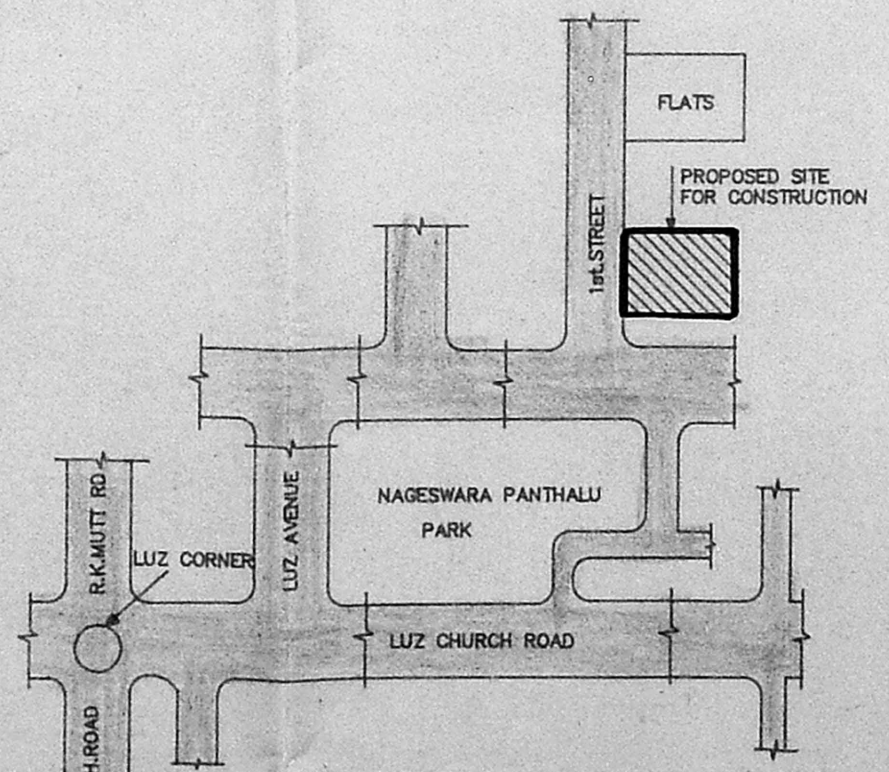
PLAN OF FOUNDATION  
SCALE 1:50



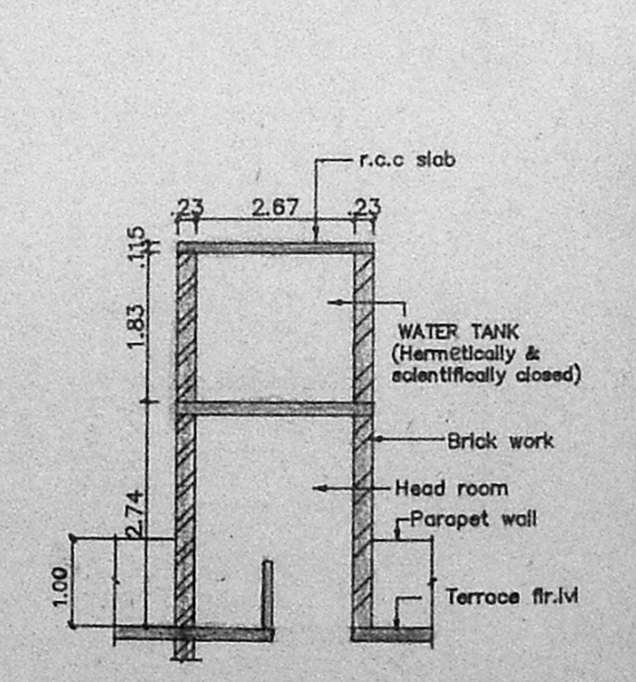
SECTION - XX



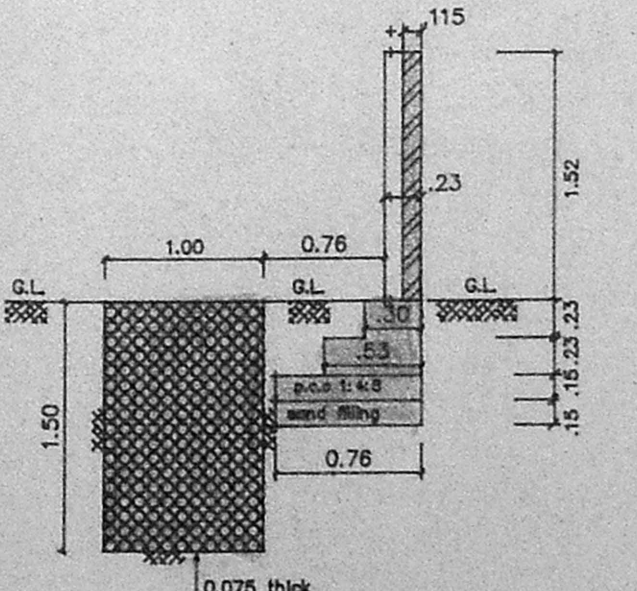
SECTION SS  
SECTION OF SUMP  
SCALE 1:100



KEY PLAN  
(NOT TO SCALE)



SECTION WW  
SECTION OF WATER TANK  
SCALE 1:100



SECTION CC OF  
COMPOUND WALL &  
PERCOLATION PIT  
SCALE 1:50

LEGEND		DESCRIPTION
FD1	2.74 x 2.18	COUNTRY WOOD FRAMED / FRENCH DOOR (painted)
D1	1.00 x 2.18	TEAK WOOD FRAMED FLUSH DOOR
D2	0.91 x 2.18	COUNTRY WOOD FRAMED FLUSH DOOR
D3	0.76 x 2.18	COUNTRY WOOD FRAMED FLUSH DOOR PART I
D4	0.76 x 2.44	COUNTRY WOOD FRAMED FLUSH DOOR PART I
WB	1.475 x 0.875	STEEL GLAZED WINDOW
WB	0.975 x 1.37	STEEL GLAZED WINDOW
V1	0.910 x 0.860	STEEL GLAZED VENTILATOR
V2	0.61 x 0.94	STEEL GLAZED VENTILATOR
O	2.20 x 1.37	OPENING

SPECIFICATION	
SLNO	DESCRIPTION
1.	P.C.C. 1:4:8 IN FOUNDATION
2.	SAND FILLING IN FOUNDATION
3.	BRICK WORK IN C.M. 1:6
4.	R.C.C. WORK FOR SLABS, LINTELS & BEAMS Etc.
5.	PLASTERING IN C.M. 1:5 EXTERNAL & 1:4 INTERNAL
6.	MOSAIC TILED FLOORING.
7.	WEATHERING COURSE OF BRICK JELLY LIME CONC.

AREA STATEMENT	
PLOT AREA	530.8173 M <sup>2</sup>
BUILT UP AREA	824.6081 M <sup>2</sup>
COLOUR INDEX	
PROPOSED CONSTRUCTION	
BOUNDARY OF SITE	
ROAD	

R.No	DATE	REVISIONS	INITIAL
1	13-04-94	1:100	0

PROPOSED CONSTRUCTION OF FLATS AT DOOR No : 18, 1 ST. STREET, EAST ABIRAMPURAM, MYLAPORE, MADRAS - 600 004, PLOT No : 39, R.S. No : 3572/18 (new) 3572/1 (pt.) (old) BLOCK No : 71, TALUK : MYLAPORE - TRIPLICANE CORP.DIV. No : 143 (new) 128 (old) ZONE No : 10 (new) 9 (old)

OWNER'S SIGNATURE  
*[Signature]*

LICENSED SURVEYOR  
L.S. No : 306 95/96

